

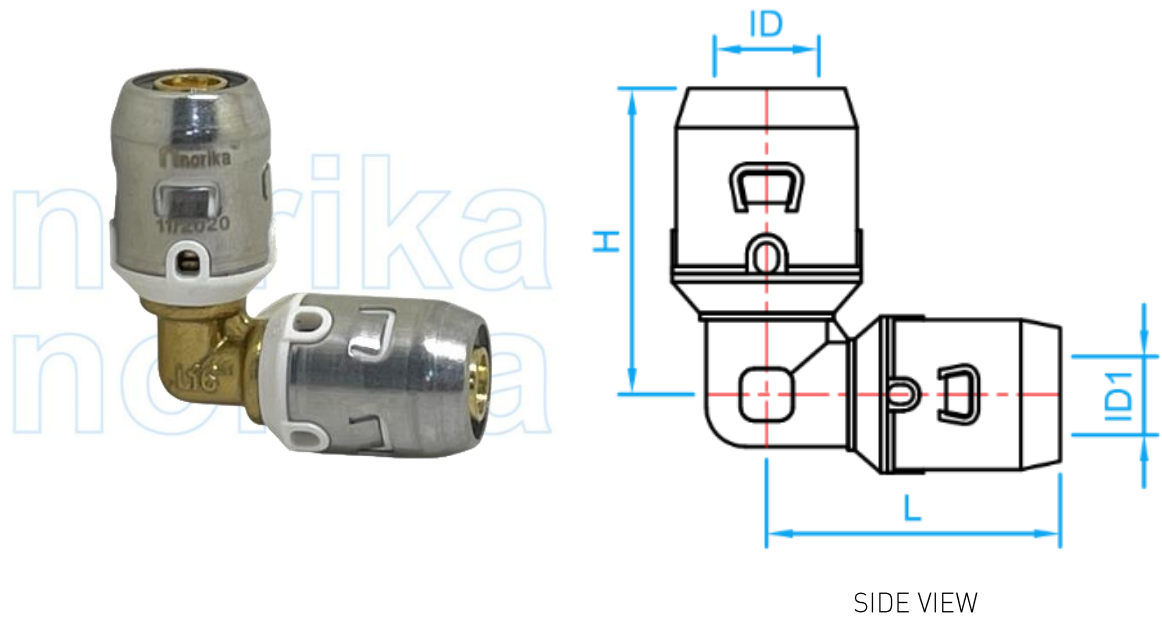
PEX MULTI LAYER PIPES AND FITTINGS



COMPLY WITH BS EN ISO 21003-1:2008
 BS EN ISO 21003-3:2008
 BS EN ISO 21003-5:2008
 BS EN 12165:2016
 AS/NZS 4020:2005
 SS 375:2015



F6 PUSH-FIT PEX REDUCING ELBOW



DIMENSIONS

SKU	SIZE (mm)	ID (mm)	ID1 (mm)	L (mm)	H (mm)	WEIGHT (kg)	PCS/CTN
PEXF6RE9002016	20X16	15.80	11.80	45	47	0.126	128
PEXF6RE9002516	25X16	19.75	11.80	47	53	0.111	100
PEXF6RE9002520	25X20	19.75	15.80	49	53	0.155	84
PEXF6RE9003216	32X16	25.75	11.80	50	60	-	-
PEXF6RE9003220	32X20	25.75	15.80	53	60	-	-
PEXF6RE9003225	32X25	25.75	19.75	59	60	-	-